



10GBase-T Signal Transformer

JASN 10GBase-T Signal Transformer offers perfect functions and superior performance. The PN T24C05SUW is compliant with IEEE 802.3an standard and Rohs compliant. This part is suitable for industry application.

Model:T24C05SUW

You are welcomed to come to JASN factory to buy the latest selling, low price, and high-quality 10GBase-T Signal Transformer. We look forward to cooperating with you.

Feature

Compliant with IEEE 802.3an&802.3bt standard.

Comply with RoHS requirements.

Designed to support applications up to 1080mA Per centre tap

Operating temperature range: -40°C to +125°C (90°C MAX, AMBIENT+35°C TEMP,RISE)

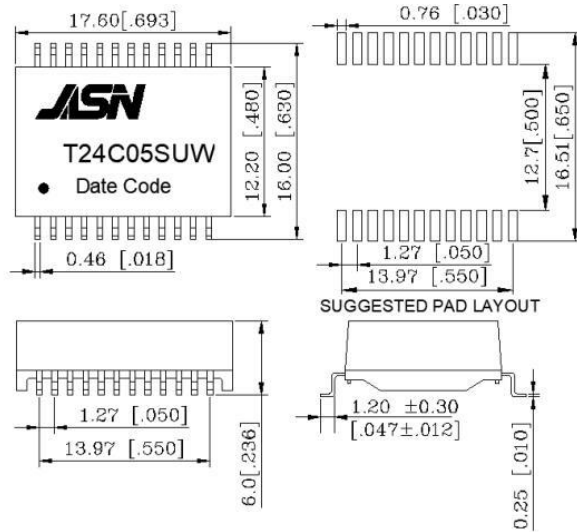
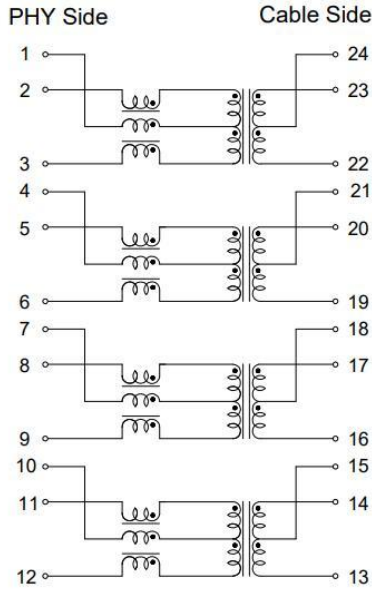
Storage temperature range: -40°C to +125°C.

Electrical Specifications @ 25°C

OCL:	120uH Min. @100KHz/0.1V,with 15mA DC Bias(-40°Cto +125°C)
Hi-POT :	1500Vrms
Turn Ratio:	1CT:1CT±3%
D.C.R:	1.0 ohm Max
Insertion Loss:	-3.0dB Max @100KHz
	-2.0dB Max @1-400MHz
	-3.0dB Max @500MHz
Return Loss:	-18dB Min @1-40MHz
	-17+10log(f/40)dB Min @40-500MHz
Cross Talk :	-40dB Min @1-100MHz
	-30dB Min @100-500MHz
CMRR:	-30dB Min @1-250MHz
	-22dB Min @250-500MHz

Schematic

Mechanical



1. Unless otherwise specified, all tolerances are ±0.25[01]
2. Coplanarity: 0.1[004]